

DS DYNAMIC ALUROLL DOOR

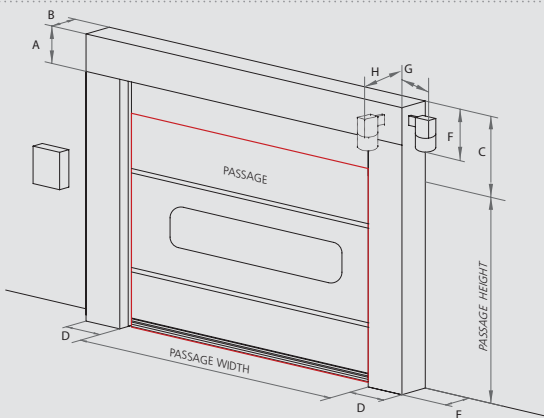
High-speed door



The DS Alumroll High Speed door is made of extruded anodised aluminium.

Specially recommended to give a good seal against air flow and to resist against loss of air pressure in laboratory environments, food handling areas and warehouse separation.

Its reduced dimensions make it perfect for small spaces such as pedestrian doors. Functional and streamlined with a matt silver anodised aluminium frame.



Dimensions in mm	A	B	C	D	E	F	G	H
DSAlumroll	220	210	480	130	73	400	300	300

The door frame is made of matt silver anodised aluminium, and stainless steel screws. Security mechanism during the operating controlled by a security photocell installed on the door's frame and a safety edge on the polyester curtain, highly resistant to fire M2 class (RAL according to our standard range). Available with or without high visibility transparent windows soldered by high frequency. The door can be activated from inside and outside using the different opening devices available in the market.

The door is manufactured in accordance with Obligatory European rule EN-13241.1:2004

Opening systems

- Radar
- Radio transmitter
- Photocell
- Magnetic Detector
- Pull chain
- Push Button

Standard Colours

- White RAL 9016
- Dark Blue RAL 5002
- Ivory RAL 1014
- Bleu RAL 5010
- Yellow RAL 1003
- Green RAL 6026
- Light Orange RAL 2008
- Light Grey RAL 7038
- Red RAL 3020
- Dark Grey RAL 7037
- Light Blue RAL 5005
- Black RAL 9005