

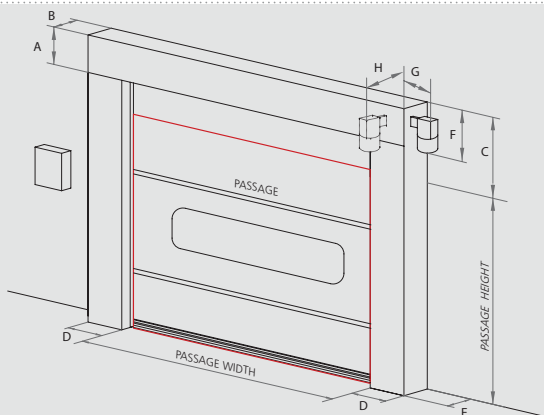
DS Dynamic Roll up door

High-speed door

The DS Dynamic roll-up door has been designed to be installed in door ways with very intensive traffic. Due to its high wind resistance, low size and airtight design, it is specially recommended for warehouses, laboratories and loading docks. It allows protection to these areas against drafts and to control any pedestrian traffic, as well as good air-conditioning and noise reduction. The DS Dynamic offers better safety features with its photoelectric cell in the guide and in the safety edge in the bottom of the curtain, allowing this door to be one of the most reliable in the market for MHE and pedestrians.



Stainless steel



Dimensions in mm	A	B	C	D	E	F	G	H
DS Dynamic	250	300	500	150	110	400	300	300

Door manufactured with a steel frame with top-mounted mechanism, made of 2mm thick steel-plate and with an airtight closure due to lateral brushes. It is painted in polyurethane enamel in any RAL colour from the standard range. As an option the door can be made in stainless steel. The door is fitted with an inline photo cell in the column and a safety edge on the bottom of the door.

The door curtain is reinforced with horizontal steel bars. The door can be activated using various optional activation systems. The door is manufactured to EN-13241.1 2004

Opening systems



Radar



Radio transmitter



Photocell



Magnetic Detector



Pull chain



Push Button

Standard Colours

White RAL 9016	Dark Blue RAL 5002
Ivory RAL 1014	Bleu RAL 5010
Yellow RAL 1003	Green RAL 6026
Light Orange RAL 2008	Light Grey RAL 7038
Red RAL 3020	Dark Grey RAL 7037
Light Blue RAL 5005	Black RAL 9005