

# DS DYNAMIC SELF REPAIRING DOOR

DS Dynamic Self Repair

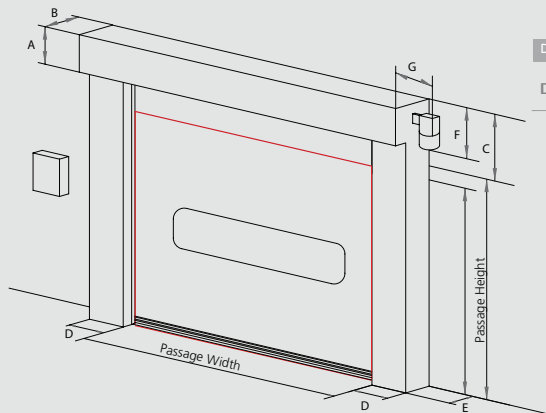


The Self-repair door is an innovative solution in the high-speed door market. Its special system allows it to be automatically repaired after an accidental collision with any object or machine, using an automatic opening and closing operation.

Self-lubricated vertical guides, assembled with an absorption springs system. Flexible curtain is made of high resistance polyester, self-extinguish M2 fire class, with a zipper system and a high wind resistance.

Security photocells for automatic reopening if an obstacle is detected during closing.

Our Self-repair RapidRoll includes the most advanced security systems and therefore it is in accordance with Obligatory European Rule EN-13241-1:2004.



Dimensions mm	A	B	C	D	E	F	G
DS self-repair door	320	360	530	100	60	620	380

## Opening Systems

- Radar
- Photocell
- Pull cord
- Radio Transmitter
- Magnetic Detector
- Push Button

## Blade Door Colour

- White RAL 9016
- Ivory RAL 1014
- Yellow RAL 1021
- Orange RAL 2004
- Red RAL 3000
- Dark Blue RAL 5010
- Light Blue RAL 5012
- Green RAL 6026
- Light Grey RAL 7038